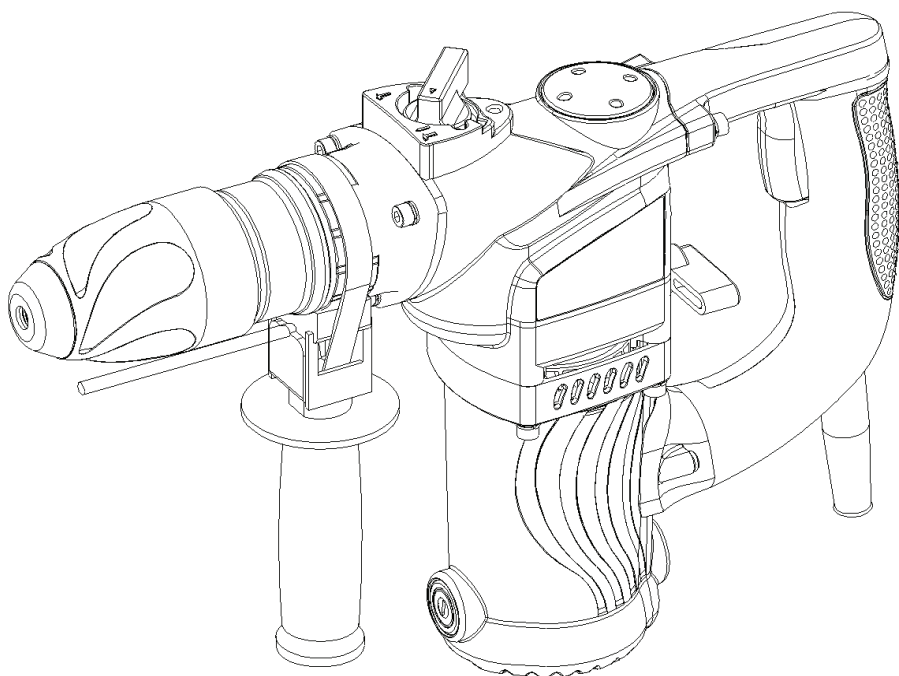


ZENIT

POWERTOOLS

ROTARY HAMMER RH-1300



INSTRUCTION MANUAL

GENERAL SAFETY PRECAUTIONS



WARNING! When using electric tools, basic safety precautions should always be followed to reduce the risk of fire, electric shock and personal injury, including the following.

Read all these instructions before operating this product and save these instructions.
For safe operations:

1. Keep work area clean. Cluttered areas and benches invite injuries.
2. Consider work area environment. Do not expose power tools to rain. Do not use power tools in damp or wet locations. Keep work area well lit. Do not use power tools where there is risk to cause fire or explosion.
3. Guard against electric shock. Avoid body contact with earthed or grounded surfaces. (e.g. pipes, radiators, ranges, refrigerators).
4. Keep children and infirm persons away. Do not let visitors touch the tool or extension cord. All visitors should be kept away from work area.
5. Store idle tools. When not in use, tools should be stored in a dry, high or locked up place, out of reach of children and infirm persons.
6. Do not force the tool. It will do the job better and safer at the rate for which it was intended.
7. Use the right tool. Do not force small tools or attachments to do the job of a heavy duty tool. Do not use tools for purposes not intended.
8. Dress properly. Do not wear loose clothing or jewelry; they can be caught in moving parts. Rubber gloves and non-skid footwear are recommended when working outdoors. Wear protecting hair covering to contain long hair.
9. Use eye protection. Also use face or dust mask if the cutting operation is dusty.
10. Connect dust extraction equipment. If devices are provided for the connection of dust extraction and collection facilities ensure these are connected and properly used.
11. Do not abuse the cord. Never carry the tool by the cord or yank it to disconnect it from the receptacle. Keep the cord away from heat, oil and sharp edges.
12. Secure work. Use clamps or a vise to hold the work. It is safer than using your hand and it frees both hands to operate tool.
13. Do not overreach. Keep proper footing and balance at all times.
14. Maintain tools with care. Keep cutting tools sharp and clean for better and safer performance. Follow instructions for lubrication and changing accessories. Inspect tool cords periodically and if damaged, have it repaired by authorized service center. Inspect extension cords periodically and replace, if damaged. Keep handles dry, clean, and free from oil and grease.
15. Disconnect tools. When not in use, before servicing, and when changing accessories such as blades, bits and cutters.
16. Remove adjusting keys and wrenches. Form the habit of checking to see that keys and adjusting wrenches are removed from the tool before turning it on.

17. Avoid unintentional starting. Do not carry a plugged in tool with a finger on the switch. Ensure switch is off when plugging in.

18. Use outdoor extension leads. When tool is used outdoors, use only extension cords intended for outdoor use.

19. Stay alert. Watch what you are doing. Use common sense. Do not operate tool when you are tired.

20. Check damaged parts. Before further use of the tool, a guard or other part that is damaged should be carefully checked to determine that it will operate properly and perform its intended function. Check for alignment of moving parts, free running of moving parts, breakage of parts, mounting and any other conditions that may affect its operation. A guard or other part that is damaged should be properly repaired or replaced by an authorized service center unless otherwise indicated in this instruction manual. Have defective switches replaced by an authorized service center. Do not use the tool if the switch does not turn it on and off.

21. Warning Use only accessories or attachments recommended in this instruction manual or in the catalogue of ZENIT TM.

22. Have your tool repaired by a qualified person. This electric tool is in accordance with the relevant safety requirements. Repairs should only be carried out by qualified persons using original ZENIT TM spare parts. Otherwise this may result in considerable danger to the user.

SAFETY PRECAUTIONS ON USING ROTARY HAMMER

- Always wear ear protection when using the tool for extended periods.
- Never touch the tool bit with bare hands after operation.
- Before drilling into walls, ceilings or floors, ensure that there are no concealed power cables inside.
- Always keep the tool handle and the side handle firmly. Otherwise the counter force may lead to inaccurate or even dangerous operation.

DESCRIPTION



1. «ON/OFF» switch

2. Rotary hammer functions switch

3. Side handle

4. Drill chuck

TECHNICAL SPECIFICATIONS

Model	RH-1300
Rated power	1300 W
Rated voltage	220-240 V
Rated frequency	50-60 Hz
Max drilling diameter	
wood	40 mm
steel	13 mm
concrete	26 mm
No load speed	1100 rpm
Impact rate	4200 spm
Impact energy	3,5 J

STANDARD ACCESSORIES

Wrench	1
Side handle	1

Standard accessories are subject to change without notice.

APPLICATIONS

Drilling anchor holes

- Drilling holes in concrete
- Drilling holes in tile

Rotation only function

- Drilling in steel or wood (with optional accessories)
- Tightening machine screws, wood screws

PRIOR TO OPERATION

1. Power source.

Ensure that the power source to be utilized conforms to the power requirements specified on the product nameplate.

2. «On\Off» switch.

Ensure that the power switch is in the OFF position. If the plug is connected to a receptacle while the power switch is in the ON position, the power tool will start operating immediately, inviting serious accident.

3. Extension cord.

When the work area is removed from the power source. Use an extension cord of sufficient thickness and rated capacity. The extension cord should be kept as short as practicable.

4. Replacing the bit.

Insert the bit into the chuck and fix it with the wrench or turn the upper part of the keyless chuck.

5. Selecting the appropriate drill bit.

When boring concrete or stone use a concrete drill bit.

When boring metal or plastic use an ordinary metalworking drill bit.

When boring wood use an ordinary woodworking drill bit.



WARNING: Do not use the Impact Drill in the IMPACT function if the material can be bored by rotation only. Such action will not only reduce drill efficiency, but may also damage the drill tip. Operating the Impact Drill with the change lever in mid-position may result in damage. When switching, make sure that you shift the change lever to the correct position.

6. Fixing the side handle.

Attach the side handle to the mounting part. Rotate the side handle grip in a clockwise direction to secure it.

Set the side handle to a position that is suited to the operation and then securely tighten the side handle grip.

HOW TO USE

1. Intended use



CAUTION

This power tool is designed for domestic use and is not intended for industrial purposes. In case of using the power tool for industrial or professional purposes, the manufacturer disclaims the product warranty liabilities.



CAUTION

To prevent accidents, make sure to turn the switch off and disconnect the plug from the receptacle when the drill bits and other various parts are installed or removed. The power switch should also be turned off during a work break and after work.

2. Rotation + Hammering

This rotary hammer can be set to rotation and hammering mode by pressing the push button and turning the change lever:

- Mount the drill bit.
- Pull the trigger switch after applying the drill bit tip to the drilling position.
- Pushing the rotary hammer forcibly is not necessary at all. Pushing slightly so that drill dust comes out gradually is just sufficient.

Caution

When the drill bit touches an iron reinforcing rod, the bit will stop immediately and the rotary hammer will react to revolve. Therefore please grip the side handle and handle tightly as shown in Fig. 8.

3. Rotation only

This rotary hammer can be set to rotation only mode by pressing the push button and turning the change lever to mark.

To drill a wood or metal material using the separately sold drill chuck and chuck adaptor, proceed as follows. Installing drill chuck and chuck adaptor:

- Attach the drill chuck to the chuck adaptor.
- The part of the SDS-plus shank is the same as the drill bit.



CAUTION.

Application of force more than necessary will not only reduce drilling efficiency at all, but will deteriorate the tip edge of the drill bit and reduce the service life of the rotary hammer in addition.

Do not attempt to drill anchor holes or holes in concrete with the main unit in the rotation only function.

Do not attempt to use the rotary hammer in the rotation and striking function with the drill chuck and chuck adaptor attached. This would seriously shorten the service life of every component of the machine.



CAUTION

When using the drill follow these rules:

- continuous use of the drill should not exceed 15 minutes;
- do not allow mechanic damage (strikes, falls etc.);
- protect the drill from external sources of heat and chemically active substances, as well as liquid and objects penetration;
- provide effective cooling and drilling wastes withdrawal from the tool working zone;
- before disconnecting the tool from the power source turn off the On/Off switch;
- check the engine temperature, do not allow overheating;
- change the rotation direction only after switching off the tool and complete stop of rotating parts;
- do not use bits not intended for concrete and brick drilling in impact mode.

Inobservance of these rules will make warranty void!

Maintenance and inspection

1. Inspecting the drill bits.

Since use of an abraded drill bits will cause motor malfunctioning and degraded efficiency, replace the drill bits with a new one or resharpening without delay when abrasion is noted.

2. Inspecting the mounting screws.

Regularly inspect all mounting screws and ensure that they are properly tightened. Should any of the screws be loose, retighten them immediately. Failure to do so could result in serious hazard.

3. Maintenance of the motor.

The motor unit winding is the very “heart” of the power tool. Exercise due care to ensure the winding does not become damaged and/or wet with oil or water.

4. Inspecting the carbon brushes.

The motor is equipped with carbon brushes, which wear with time. When a brush reaches the wear limit, the motor may malfunction. If the engine is equipped with a disengaging brush, it will automatically turn off. In this case replace both carbon brushes. Keep the brushes clean and ensure that brushes move freely within the brush holders.



WARNING

Repair, modification and check of ZENIT power tools should be performed only in authorized service centers ZENIT. While use or maintenance of power tools follow all safety rules and standards.



NOTE

Zenit Power Tools are constantly being improved and modified to incorporate the latest technological advancements.

Accordingly, some parts may be changed without prior notice.



Demix LLC

Head office:

14, Shevchenko str., 3rd floor
Dnepropetrovsk, Ukraine, 49044

tel./fax: +38 056 375-43-16
<http://www.en.zenit-profi.com>